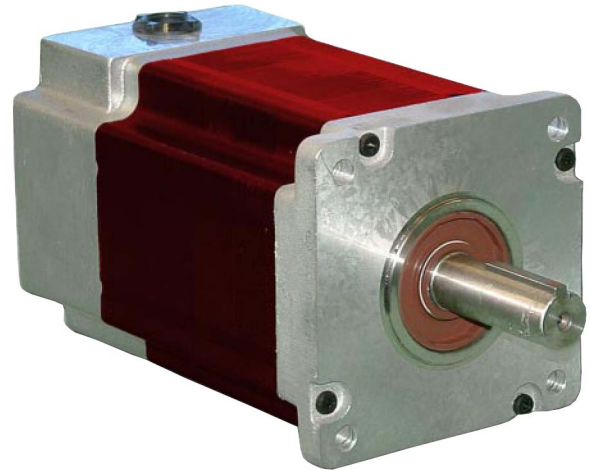


# 42K65 Series - IP65 Sealed High Torque Stepper Motor



FEATURES

- **NEMA 42 Frame Size**
- **1.8° Natural Step Angle**
- **Torque Ratings Up to 5700 oz-in**
- **Splashproof IP65 Sealed Stepper Motor**
- **High Acceleration and Increased Rotor Inertia**
- **3 Stack Lengths**
- **Microstep Increments as Small as 0.0072° (with our MBC082561)**
- **1.5% Typical Step Accuracy**
- **Rugged Construction**
- **Higher Temperature Characteristics**
- **CE Certified and RoHS Compliant**



DESCRIPTION

The 42K65 Series High Torque Stepper Motors use advanced magnetic technologies to provide significantly higher torque levels than what is available in standard (round) and high torque (square) motors. They are also sealed around the shaft and conduit opening making them splashproof and perfect for applications requiring a IP65 rated stepper. These motors are available in a variety of windings to meet any application specific requirement. The torque levels reached with this step motor line make them cost-effective alternatives to servo motors in many applications. These motors can be specified in place of standard motors to reduce system size and cost, or increase system performance, without the need to go to larger sized motors or drivers.

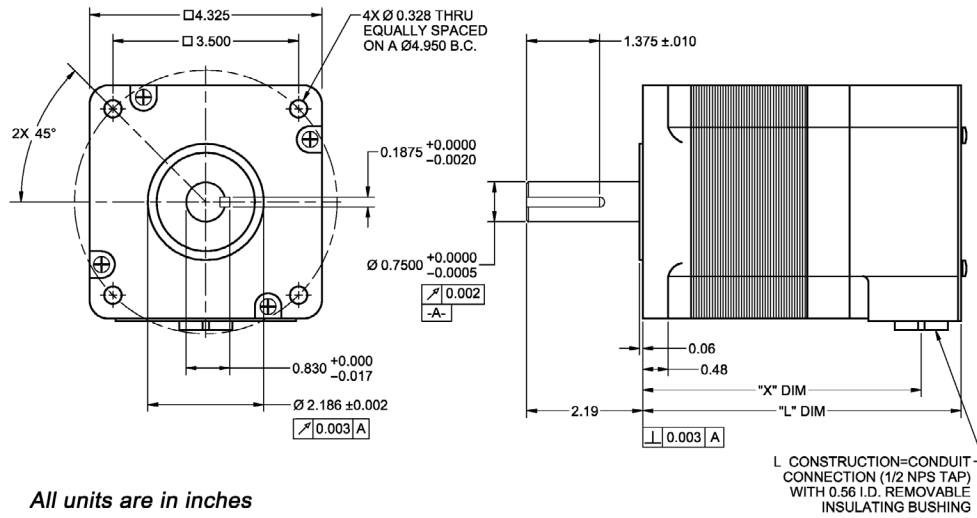
See Accessories on our website for optional motor adders such as encoders, brakes, cables and connectors. For gearbox options, see our GBPH Series gearboxes. For compatible drivers, consider our popular MBC082561, MBC10641, MBC12101 and MLA10641 drivers, or Driver Packs.

SPECIFICATIONS

Model #	NEMA Size	Bipolar Torque (oz-in)	Series Current (A)	Unipolar Current (A)	Parallel Current (A)	Unipolar Inductance (mH)	Rotor Inertia (oz-in-sec <sup>2</sup> )	Shaft Diameter (in)	# of Terminals	Weight (lbs)	L Length (in)
42K65112S-CB8	42	2090	4.4	6.2	8.7	3.10	0.0783	0.75	8	11.0	5.2
42K65115S-CB8	42	2135	5.3	7.5	10.7	2.20	0.0783	0.75	8	11.0	5.2
42K65209S-CB8	42	3965	3.2	4.5	6.4	9.80	0.1546	0.75	8	18.4	7.2
42K65214S-CB8	42	4025	4.9	7.0	9.9	4.20	0.1546	0.75	8	18.4	7.2
42K65314S-CB8	42	5630	4.9	7.0	9.9	5.90	0.2293	0.75	8	25.7	9.2
42K65322S-CB8	42	5700	7.7	10.9	15.4	2.50	0.2293	0.75	8	25.7	9.2

L010429

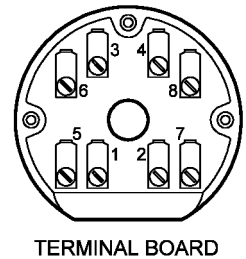
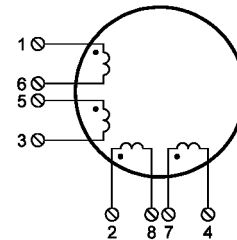
DIMENSIONS



All units are in inches

WIRING INFORMATION

Connection	Lead Wire Connection	Terminal #
4 - Lead Bipolar Series MBC or MLP Series	(A)	1
	(A)	3
	(B)	2
	(B)	4
	None	6 & 5
4 - Lead Bipolar Parallel MBC or MLP Series	None	8 & 7
	(A)	1 & 5
	(A)	3 & 6
	(B)	2 & 6
6 - Lead Unipolar BLD, TM Series	(B)	4 & 8
	Phase 1	1
	Phase 3	3
	Phase 2	2
	Phase 4	4
	Common Phase 1 & 3	6 & 5
Common Phase 2 & 4	8 & 7	



SPECIFICATIONS

Step Angle Accuracy:	±1.5%
Resistance Accuracy:	±10%
Full Step Angle:	1.8°
Ambient Temperature:	-20°C - +40°C
Insulation Type:	Class B
Insulation Resistance:	100M ohms @ 500VAC
Max Radial Play:	20lbs